

ZOBAO[®]
掌中宝

**PROFESSIONAL
HAMMER MANUFACTURER**

专业锤镐制造商



**2024/2025
Product catalogue**

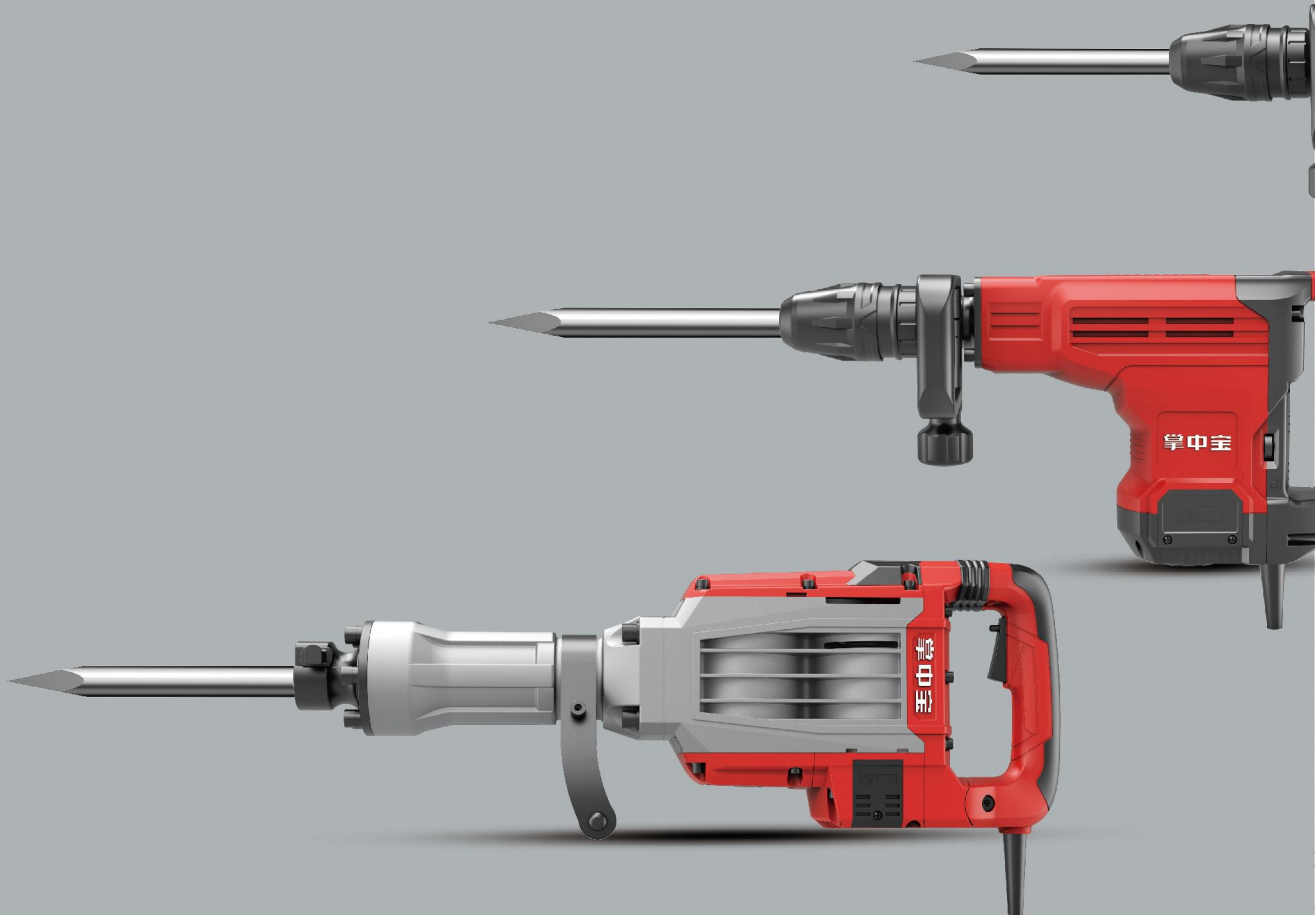
浙江掌中宝电器有限公司
Zhejiang ZOBAO Electrical Appliances Co.Ltd.

ZOB AO[®]
掌中宝

高效
耐用
专业

**HIGH POWER
DURABILITY
PROFESSIONAL**

《《《《《 手握掌中宝 赚钱不会少





ONE STEP LEADING.
NON-STOP EXPLORING.
领先一步。
不停地探索。



企业简介

Company profile

浙江掌中宝电器有限公司组建于2020年,经不断发展壮大,现已成为一家集科研、开发、制造、销售于一体的现代化企业。公司以自主品牌为主的,专业锤镐厂家。我们以产品质量为企业生命,不断开发新产品,来满足广大客户的需求,并在广大客户中得到一致好评与赞赏。公司有多款产品已通过3C认证,日后产品将继续申请3C及各项认证。全国各大城市均设有特约经销商。公司产品还具有科技含量高、机构合理、综合性能稳定等优点。掌中宝将不断创新,秉承“以客为尊,真诚合作”为理念,竭诚为广大客户提供一流的产品及服务,热烈欢迎广大客户前来业务洽谈与合作。

Zhejiang Zobao Electrical Appliances CO.,Ltd. was established in 2020. After continuous development and growth, it has become a modern company integrating research, development, manufacturing and sales enterprise. We are professional demolition&rotary hammer factory mainly based on our own brand in domestic market. We take the production quality as the life of the enterprise, and continuously develop new products to meet the needs of our customers. Most of our products have passed 3C certification. We will continue to apply 3C and various certifications recently. We have dealers in all major cities across China. Our products have the advantage of high technology, reasonable structure and stable performance. Zobao will keep innovation, and adhering to the concept of “customer first, sincere cooperation”. We always provide our customer with first-class products and services, warmly wait for your cooperate with us.

**ONE STEP LEADING.
NON-STOP EXPLORING.**



Rotary Hammer



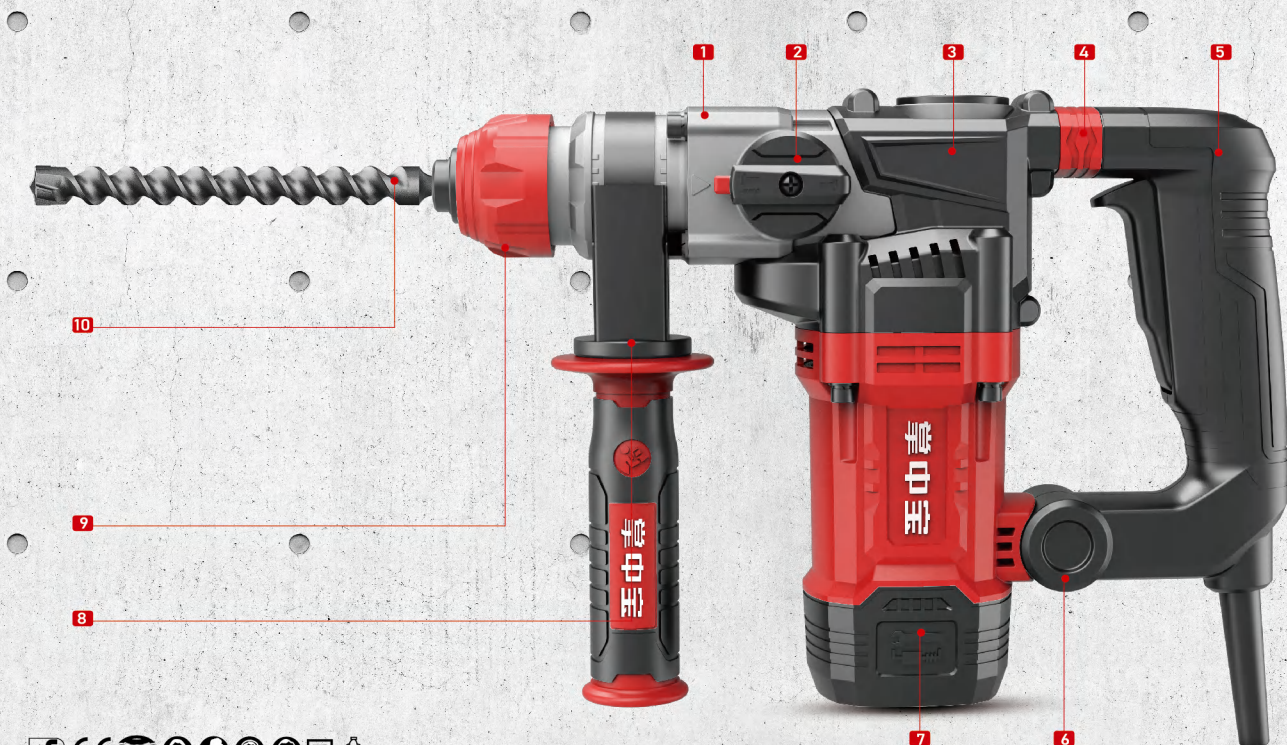
**HIGH POWER
DURABILITY
PROFESSIONAL** 高效/耐用/专业



998 Rotary Hammer 电锤

HIGH POWER
DURABILITY

PROFESSIONAL <<<<< 高效//耐用/专业



1 28缸径气缸
28 cylinder diameter cylinder

2 双功能旋钮
Dual function adjustment knob

3 会呼吸的油盖
Breathable oil cap

4 减震结构设计
Shock absorption structure design

5 软包胶手柄
Soft rubber handle

6 D型手柄
D-type handle

7 外置碳刷
External carbon brush

8 360度旋转手柄
360° rotating anti slip handle

9 精钢夹头
Precision steel clamp head

10 精钢钻头, 坚固耐用
Precision steel bit, sturdy and durable

-全新外观, 专利设计;
-整机轻巧3.9kg降低工作强度, 操作更舒适;
-四指大开关, 手握更舒服;
-减震设计, 有效缓解疲劳;
-适用6-16孔径的外墙保温和吊顶及植筋作业;
-全新第六代30000次安全离合, 打到钢筋自停, 操作更安全;
-高转速大功率电机, 比同类产品效率提高50%。

- New appearance patent design;
- The whole machine is lightweight and 3.9kg, reducing work intensity and making operation more comfortable;
- Four finger switch for more comfortable grip;
- Switch handle, shock absorption design, effectively relieving fatigue;
- Suitable for external wall insulation planting bars of 6-16;
- The new sixth generation has 30000 safety clutch, which automatically stops when the steel bars are pressed, making the operation safer;
- High speed and high-power motor, with an efficiency increase of 50% compared to similar products. 1 flat chisel, 1 pointed chisel, 3 drills

TECHNICAL PARAMETER

钻孔能力Drill Diameter: $\Phi 6-\Phi 16\text{mm}$	最大功率Max Power: 1300W	额定频率Rated Frequency: 50Hz
额定功率Rated Power: 1050W	冲击频率Impact Frequency: 5300BPM	机身重量Weight: 3.9kg
空载转速No-load Speed: 1300r/min	额定电压Rated Voltate: 220V	包装尺寸Packing: 4pcs/48.5*45.5*32.5cm

重量 数据源于整机净重
The Data Comes From The Net Weight Of The Machine

Machine N.W.

某同类B品牌 A similar b brand Market 4.2kgs

ZOBAO 3.5kgs

钻削率 钻孔于国家标准C35混凝土
Drilled In National Standard C35 Concrete

Drilling rate

Work Efficient Compare

Market 48cm³/min 50.5%

Drilling speed when drilling medium hardness concrete with a 12 mm diameter drill bit
用直径12毫米的钻头钻中等硬度的混凝土时的钻孔速度

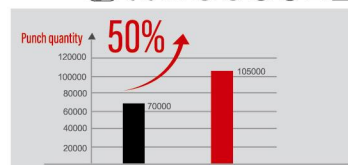
ZOBAO 97cm³/min 102%

Drilling speed when drilling medium hardness concrete with a 12 mm diameter drill bit
用直径12毫米的钻头钻中等硬度的混凝土时的钻孔速度



第六代智能安全离合更安全
植筋专用 轻巧方便
小眼植筋
高转速 效率高
适用吊顶保温墙
26气缸 五齿全铜电机

The sixth generation intelligent safety clutch is safer
Specially designed for planting bars, lightweight and convenient
Small hole planting bars
High speed and high efficiency
Suitable for ceiling wall insulation
26 cylinder five tooth all copper motor



30CT Rotary Hammer 电锤

TECHNICAL PARAMETER

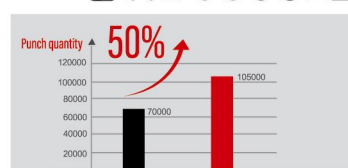
钻孔能力Drill Diameter: $\Phi 6$ - $\Phi 14$ mm	最大功率Max Power: 1100W	额定频率Rated Frequency: 50Hz
额定功率Rated Power: 850W	冲击频率Impact Frequency: 5300BPM	机身重量Weight: 3.5kg
空载转速No-load Speed: 1300r/min	额定电压Rated Voltate: 220V	包装尺寸Packing: 4pcs/48.5*45.5*32.5cm

- 大容量锂电池，持久续航
- 锤钻/锤击双功能切换
- 高转速，大扭力
- 四指大开关，使用舒适

- Large-capacity lithium battery, long-lasting battery
- Hammer drill/hammer dual function switch
- High speed, high torque
- Four-finger switch, comfortable to use

Scope of Application

Interior decoration, water and electricity, monitoring, plumbing
Installation and other suitable for high-altitude work
Drill anchor holes in concrete and masonry



30L-01 Lithium Rotary Hammer 锂电锤

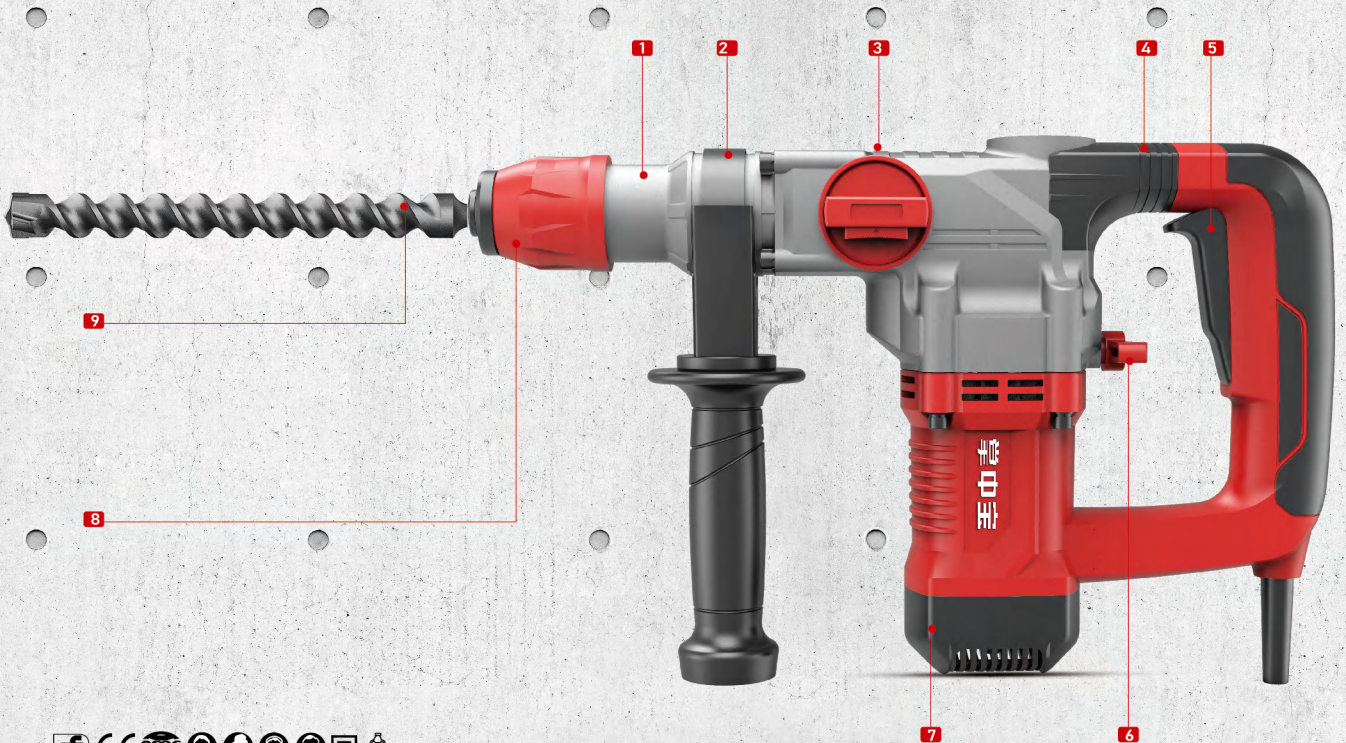
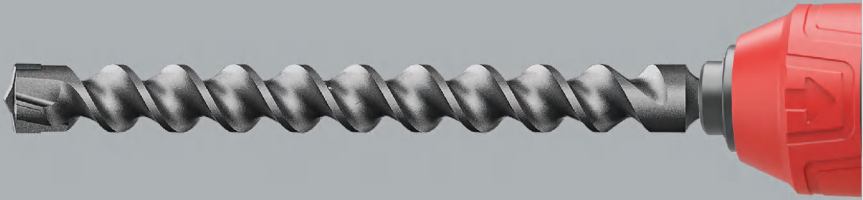
TECHNICAL PARAMETER

钻孔能力Drill Diameter: $\Phi 6$ - $\Phi 16$ mm	额定电压Battery Volt: 21VDC	包装尺寸Packing: 4pcs/48.5*45.5*32.5cm
冲击力Impact: 4.1J	冲击频率Impact Frequency: 5300BPM	
空载转速No-load Speed: 1300r/min	机身重量Weight: 2.9kg	

26C Rotary Hammer 电锤

HIGH POWER
DURABILITY

PROFESSIONAL <<<<< 高效//耐用/专业



1 加大气缸
Increase cylinder size

2 360度旋转手柄
360° rotating anti slip handle

3 双功能旋钮
Dual function adjustment knob

4 减震结构设计
Shock absorption structure design

5 四指大开关
Four finger large switch

6 三功能开关
Three function switch

7 大功率电机
High power motor

8 精钢夹头
Precision steel clamp head

9 精钢钻头, 坚固耐用
Precision steel bit, sturdy and durable

-5齿转子, 1托2齿轮结构, 转速高扭力大, 大小钻头使用高效;
-四指大开关, 手柄全握指设计, 久用不累;
-特制加长气缸, 爆破里超强, 耐久性提升了30%;
-铁头定铲定位功能, 快速调节, 锁定后不变位;
-维修方便: 更换电线, 开关只拆手柄螺丝

-5-tooth rotor, 1-tooth 2-gear structure, high speed and high torque, and efficient use of large and small drill bits;
-Four finger switch, long-term use without fatigue
-The specially made lengthened cylinder has super explosive force and increased durability by 30%;
-Iron head fixed shovel positioning function, fast adjustment, no position change after locking;
-Easy maintenance: to replace wires and switches, only remove the handle screws. 1 flat chisel, 1 pointed chisel, 3 drills

TECHNICAL PARAMETER

钻孔能力Drill Diameter: Φ6-Φ26mm	最大功率Max Power: 1300W	额定频率Rated Frequency: 50Hz
额定功率Rated Power: 1050W	冲击频率Impact Frequency: 4500BPM	机身重量Weight: 4.1kg
空载转速No-load Speed: 1300r/min	额定电压Rated Voltate: 220V	包装尺寸Packing: 4pcs/48.5*45.5*32.5cm

重量 数据源于整机净重
The Data Comes From The Net Weight Of The Machine

Machine N.W.

某同类B品牌 A similar b brand Market 5.0kgs

ZOBAO 4.2kgs

钻削率 钻孔于国家标准C35混凝土
Drilled in National Standard C35 Concrete

Drilling rate

Work Efficient Compare

Market 90cm³/min 14.5%

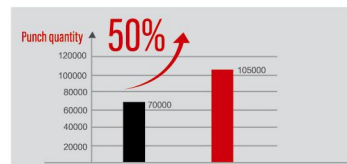
Drilling speed when drilling medium hardness concrete with a 12 mm diameter drill bit
用直径12毫米的钻头钻中等硬度的混凝土时的钻孔速度

ZOBAO 105cm³/min 16.6%

Drilling speed when drilling medium hardness concrete with a 12 mm diameter drill bit
用直径12毫米的钻头钻中等硬度的混凝土时的钻孔速度



适用于爆模/钻孔/开槽/铲墙/墙面刨砖等作业
Suitable for tasks such as mold blasting, drilling, slotting,
wall scraping, and wall brick planing



26A Rotary Hammer 电锤

TECHNICAL PARAMETER

钻孔能力Drill Diameter: $\Phi 6-\Phi 26\text{mm}$	最大功率Max Power: 1050W	额定频率Rated Frequency: 50Hz
额定功率Rated Power: 1050W	冲击频率Impact Frequency: 4500BPM	机身重量Weght: 4.8kg
空载转速No-load Speed: 940r/min	额定电压Rated Voltate: 220V	包装尺寸Packing: 4pcs/46*41*35.5cm

适用于爆模/钻孔/开槽/铲墙/墙面刨砖等作业
Suitable for tasks such as mold blasting, drilling, slotting,
wall scraping, and wall brick planing

30mm气缸5齿电机高转速扭力大

30mm cylinder, 5-speed motor, high speed, high torque

安全智能离合更安全

Safe intelligent clutch is safer

-安全智能离合器,打到钢筋自动停,离合保护

-四指大开关,手柄全握指设计,久用不累

-特制加长气缸,爆破力超强,耐用性提升40%

-铁头定位功能,快速调节,锁定后不变位

-双弹簧减震手柄,作业时降低震动,提高舒适性

-360度旋转按钮,轻而快,适用舒适

-Safe smart clutch, when the steel bar is stuck, clutch protection

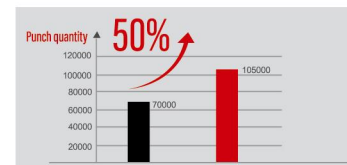
-Four-finger switch, full finger grip design on the handle, not tired after long-term use

-Specially-made lengthened cylinder, super explosive force, durability increased by 40%

-Iron head positioning function, quick adjustment, no position after locking

-Double spring shock absorber handle, reduce vibration during operation and improve comfort

-360 degree rotating knob, light and fast, suitable for comfort



32CT Rotary Hammer 电锤

TECHNICAL PARAMETER

钻孔能力Drill Diameter: $\Phi 6-\Phi 30\text{mm}$	最大功率Max Power: 1800W	额定频率Rated Frequency: 50Hz
额定功率Rated Power: 1200W	冲击频率Impact Frequency: 4700BPM	机身重量Weght: 5.0kg
空载转速No-load Speed: 1000r/min	额定电压Rated Voltate: 220V	包装尺寸Packing: 4pcs/46*41*35.5cm

领先一步。
不停地探索。

**ONE STEP LEADING.
NON-STOP EXPLORING.**



电镐

1142 Demolition Hammer

HIGH POWER
DURABILITY
PROFESSIONAL <<<<<

高效/耐用/专业

重量 数据源于整机净重
The Data Comes From The Net Weight Of The Machine

Machine N.W.

某同类品牌 A similar brand Market 12.0kgs

ZOBAO 11.0kgs

破碎效率 于国家标准C35混凝土凿效率
According to the national standard C35 concrete chiseling efficiency

Crushing efficiency

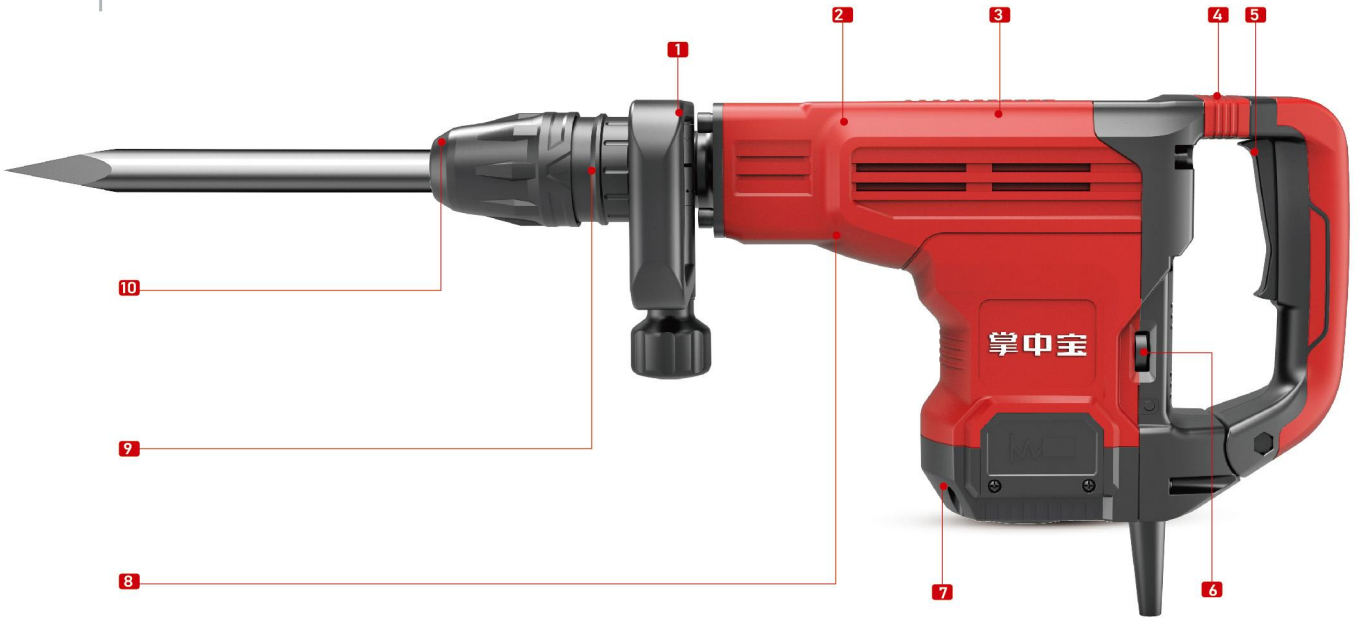
Work Efficient Compare

Market 78% 22%

高品质 high-quality

ZOBAO 100% 28%

- 恒功调速调速器,重载作业持久稳定;
 - 指示灯提醒更换碳刷,外置碳刷更换方便快捷,专利结构;
 - 德国进口数控CNC制作齿轮,镜面气缸内孔,保证机器寿命;
 - 主手柄全软皮,辅助手柄软皮,工作舒适。
 - Constant power and speed governor, long-lasting and stable heavy load operation;
 - The indicator light reminds you to replace the carbon brushes, and the external carbon brush can be replaced quickly and easily, with a patented structure;
 - German imported CNC gear, mirror cylinder bores, to ensure the life of the machine;
 - The main handle is all soft leather and the auxiliary handle is soft leather, which is comfortable to work.
- Accessory:
1 flat chisel, 1 pointed chisel, 1 carbon brush, 1 grease tube-50g, 1 oil cap wrench



1 符合人体设计的360度旋转手柄
360 degree rotating handle designed which is ergonomic

2 镜面研磨气缸冲击力更强
Mirror grinding cylinder has stronger impact force

3 高强度金钢齿轮耐用度更持久
High strength steel gears have longer durability

4 减震装置有助于手和手臂减少疲劳提高
Shock absorbers help reduce fatigue

5 新一代大扳机开关
New generation large trigger switch

6 六档调速开关,指示灯亮更换碳刷
Six speed control switch, indicator light on, replace carbon brush

7 碳刷自动断电装置
Carbon brush automatic power-off device

8 大功率电机
High power motor

9 SDS-MAX 五坑夹持装置
SDS-MAX Five Pit Clamping Device

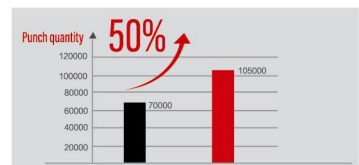
10 扁凿可通过12个方向调整工作角度
Flat chisel can adjust the working angle in 12 directions

AVC
主动减震装置



1142 Demolition Hammer 电镐

水电安装、墙体破拆、道路破拆建筑工地施工、适合水电安装、墙体破拆工作
Water and electricity installation, wall demolition, road demolition
Construction site construction, suitable for water and electricity installation, wall demolition work



TECHNICAL PARAMETER

额定功率Rated Power: 1650W	冲击力Impact: 53J	机身重量Weight: 11.0kg
冲击频率Impact Frequency: 900-1990BPM	额定电压Rated Voltate: 220V	包装尺寸Packing: 1pcs/64*17.5*39.5cm
最大功率Max Power: 2500W	额定频率Rated Frequency: 50Hz	

TECHNICAL PARAMETER

额定功率Rated Power: 1550W	冲击力Impact: 45J	机身重量Weght: 10.95kg
冲击频率Impact Frequency: 900-1990BPM	额定电压Rated Voltate: 220V	包装尺寸Packing: 1pcs/64*17.5*39.5cm
最大功率Max Power: 2500W	额定频率Rated Frequency: 50Hz	11E

TECHNICAL PARAMETER

额定功率Rated Power: 1550W	冲击力Impact: 45J	机身重量Weght: 10.95kg
冲击频率Impact Frequency: 900-1990BPM	额定电压Rated Voltate: 220V	包装尺寸Packing: 1pcs/64*17.5*39.5cm
最大功率Max Power: 2500W	额定频率Rated Frequency: 50Hz	11EH-01



G11E Demolition Hammer 电镐

HIGH POWER
DURABILITY
PROFESSIONAL <<<<<



**ONE STEP LEADING.
NON-STOP EXPLORING.**

AVC
主动减震装置



11EH-01 Demolition Hammer 电镐

HIGH POWER
DURABILITY
PROFESSIONAL <<<<<



重量 数据源于整机净重
The Data Comes From The Net Weight Of The Machine

Machine N.W.

某同类B品牌 A similar b brand Market: 16.5kgs

ZOBAO 15.5kgs

破碎效率 于国家标准C35混凝土凿破效率
According to the national standard C35 concrete chiseling efficiency

Crushing efficiency

Work Efficient Compare

Market: 78% 22%

高品质 high-quality

ZOBAO 100% 28%



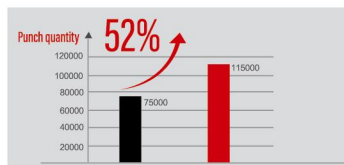
适用于爆模/钻孔/开槽/铲墙/墙面刨砖等作业

Suitable for tasks such as mold blasting, drilling, slotting, wall scraping, and wall brick planing



115A Demolition Hammer 电镐

45
cylinder



TECHNICAL PARAMETER

额定功率Rated Power: 1500W	冲击力Impact: 55J	机身重量Weght: 15.5kg
冲击频率Impact Frequency: 1500BPM	额定电压Rated Voltate: 220V	包装尺寸Packing: 1pcs/71*17.5*30.5cm
最大功率Max Power: 3000W	额定频率Rated Frequency: 50Hz	

AVC

主动减震装置

- 油盖专利结构, 经久耐用, 不用经常性加油;
- 铜线电机, 纯铜耐高温;
- 防漏油设计, 使用寿命长;
- 采用进口材质碳刷, 火花小, 更耐久;
- 活塞环采用进口氟胶, 不用当心活塞环的损坏;
- 德国进口数控CNC制作齿轮, 镜面气缸内孔, 保证机器寿命。

- The patented sturcture of the oil cap is durable and does not require frequent refueling;
- Copper wire motor, pure copper high temperature resistance;
- Anti-leakage design, longer service life;
- Import carbon brush, less sparks, more durable
- The piston ring adopts imported fluorine rubber, so there is no worry about damage of the piston ring;
- The CNC gears imported from Germany mirror cylinder bores, to ensure the life of the machine.

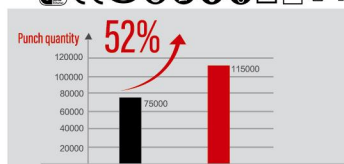
Accessory:

1 flat chisel, 1 pointed chisel, 1 carbon brush, 1 oil can(empty)



1158 Demolition Hammer 电镐

45
cylinder



TECHNICAL PARAMETER

额定功率Rated Power: 1650W	冲击力Impact: 60J	机身重量Weght: 15.8kg
冲击频率Impact Frequency: 1600BPM	额定电压Rated Voltate: 220V	包装尺寸Packing: 1pcs/89*18.7*37.7cm
最大功率Max Power: 3000W	额定频率Rated Frequency: 50Hz	



ZOBAO[®]
掌中宝



重量 数据源于整机净重
The Data Comes From The Net Weight Of The Machine

Machine N.W.

某同类品牌 A similar brand Market 16.8kgs

ZOBAO 15.8kgs

破碎效率 于国家标准C35混凝土凿破效率
According to the national standard C35 concrete chiseling efficiency

Crushing efficiency

Work Efficient Compare

Market 87% 10%

高品质 high-quality

ZOBAO 100% 7.8%

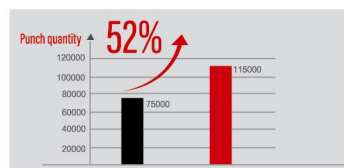


适用于墙面/路面破除等作业
Suitable for wall/road demolition and other operations

AVC
主动减震装置

155A Demolition Hammer 电镐

55
cylinder



TECHNICAL PARAMETER

额定功率Rated Power: 1500W	冲击力Impact: 60J	机身重量Weght: 15.8kg
冲击频率Impact Frequency: 1500BPM	额定电压Rated Voltate: 220V	包装尺寸Packing: 1pcs/89*18.7*37.7cm
最大功率Max Power: 3000W	额定频率Rated Frequency: 50Hz	

AVC
主动减震装置



- 油盖专利结构, 经久耐用, 不用经常性加油;
- 铜线电机, 纯铜耐高温;
- 防漏油设计, 使用寿命长;
- 采用进口材质碳刷, 火花小, 更耐久;
- 活塞环采用进口氟胶, 不用当心活塞环的损坏;
- 德国进口数控CNC制作齿轮, 镜面气缸内孔, 保证机器寿命。

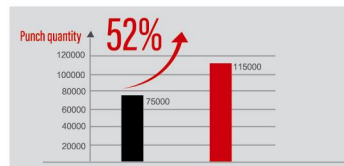
- The patented sturcture of the oil cap is durable and does not require frequent refueling;
- Copper wire motor, pure copper high temperature resistance;
- Anti-leakage design, longer service life;
- Import carbon brush, less sparks, more durable
- The piston ring adopts imported fluorine rubber, so there is no worry about damage of the piston ring;
- The CNC gears imported from Germany,mirror cylinder bores, to ensure the life of the machine.

Accessory:

1 flat chisel, 1 pointed chisel, 1 carbon brush, 1 oil can(empty)

155K Demolition Hammer 电镐

55
cylinder



TECHNICAL PARAMETER

额定功率Rated Power: 1500W	冲击力Impact: 60J	机身重量Weght: 16kg
冲击频率Impact Frequency: 1500BPM	额定电压Rated Voltate: 220V	包装尺寸Packing: 1pcs/89*18.7*37.7cm
最大功率Max Power: 3000W	额定频率Rated Frequency: 50Hz	



TECHNICAL PARAMETER

额定功率Rated Power: 1500W	冲击力Impact: 40J	机身重量Weight: 7.2kg
冲击频率Impact Frequency: 3700BPM	额定电压Rated Voltate: 220V	包装尺寸Packing: 3pcs/54*38*36cm
最大功率Max Power: 1800W	额定频率Rated Frequency: 50Hz	



电镐

42C Demolition Hammer

**HIGH POWER
DURABILITY
PROFESSIONAL** <<<<<

- 双弹簧减震手柄, 作业时降低震动, 提高舒适型;
- 40气缸, 高冲击频率, 凿削效率高;
- 百分百全铜线电机1500W超大功率;
- 进口碳刷, 行业内优质轴承。
- Double spring shock-absorbing handle, reduce vibration during operation and improve comfort;
- 40 cylinder, high impact frequency, high chisel efficiency;
- 100% copper wire motor, 1500W super power;
- Imported carbon brushes, high-quality bearings in the industry;
- 1 flat chisel, 1 pointed chisel, 1 carbon brush, 1 grease tube-30g



AVC
主动减震装置

40
cylinder

**ONE STEP LEADING.
NON-STOP EXPLORING.**



重量 数据源于整机净重
The Data Comes From The Net Weight Of The Machine

Machine N.W.

某同类B品牌 A similar b brand Market 7.4kgs

ZOBAO 6.4kgs

破碎效率 于国家标准C35混凝土凿破效率
According to the national standard C35 concrete chiseling efficiency

Crushing efficiency

Work Efficient Compare

Market 78% 22%

高品质 high-quality

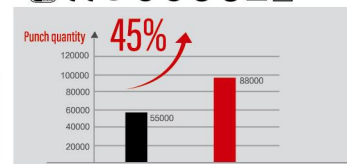
ZOBAO 100% 28%



AVC
主动减震装置

- 双弹簧减震手柄,作业时降低震动,提升舒适性;
- 35气缸,高冲击频率,凿削效率高;
- 百分百全铜线电机,1300W超大功率;
- 进口碳刷。
- Double spring shock-absorbing handle reduce vibration during operation and improve comfort;
- 35 cylinder, high impact frequency, high chisel efficiency;
- 100% copper wire motor, 1300W super power;
- Imported carbon brush.

1 flat chisel, 1 sharpening chisel, 1 carbon brush, 1 grease tube-30g.



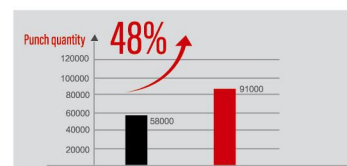
35C Demolition Hammer 电镐



TECHNICAL PARAMETER

额定功率Rated Power: 1300W	冲击力Impact: 23J	机身重量Weight: 6.4kg
冲击频率Impact Frequency: 4000BPM	额定电压Rated Voltate: 220V	包装尺寸Packing: 3pcs/54*38*36cm
最大功率Max Power: 1600W	额定频率Rated Frequency: 50Hz	

- 35直径大功率气缸,匹配超强爆发力电机,大大提升破碎效率;
- 机身轻巧,操作更舒适;
- 100%全铜电机,1200W超大功率,最大功率可达1500W;
- 高性价比产品,给用户更好的购买体验;
- 使用进口油脂,充分润滑,延长使用寿命;
- 全铜刷架结构,加快散热,有效提升电机寿命。
- 35 diameter high-power cylinder, matched with an ultra strong explosive motor, greatly improving disassemble efficiency;
- lightweight body, more comfortable operation;
- 100% all copper moter, 1200W super power, maximum power up to 1500W;
- High cost performance products provide users with a better using experience;
- Use imported grease for sufficient lubrication and extended service life;
- All copper brush holder structure, accelerating heat dissipation and effectively improving motor life;



35K Demolition Hammer 电镐



TECHNICAL PARAMETER

额定功率Rated Power: 1200W	冲击力Impact: 21J	机身重量Weight: 5.8 kg
冲击频率Impact Frequency: 4000BPM	额定电压Rated Voltate: 220V	包装尺寸Packing: 3pcs/52*36.5*33.5cm
最大功率Max Power: 1500W	额定频率Rated Frequency: 50Hz	





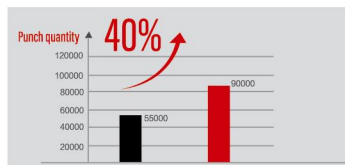
-本机器适合在混凝土、砖墙石材和沥青路上进行凿敲作业。
-如果安装上合适配件，也可使用配机敲入螺丝或敲实疏松之材料。

-This machine is suitable for chiseling and breaking operations on concrete, brick walls, stone, and asphalt road.
-If appropriate accessories are installed, screws can also be driven in or loose materials can be compacted using a matching machine.



0811 Demolition Hammer 电镐

30
cylinder



TECHNICAL PARAMETER

额定功率Rated Power: 1100W	冲击力Impact: 14J	机身重量Weght: 5.7kg
冲击频率Impact Frequency: 3900BPM	额定电压Rated Voltate: 220V	包装尺寸Packing: 3pcs/53.5*36*36cm
最大功率Max Power: 1500W	额定频率Rated Frequency: 50Hz	



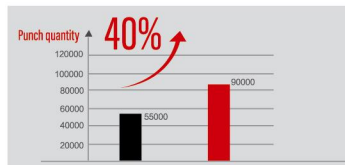
-创新设计
-可靠机械装置避免了空锤，从而超强耐久
-加强防漏油设计
-改良内部结构破碎效果更佳
-优选进口配件

-Innovative Design
-Reliable mechanical device avoids empty hammers, resulting in super durability
-Strengthen oil leakage prevention design
-Improved internal structure for better crushing effect
-Preferred imported accessories



0810 Demolition Hammer 电镐

30
cylinder

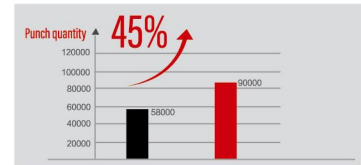


TECHNICAL PARAMETER

额定功率Rated Power: 1100W	冲击力Impact: 14J	机身重量Weght: 5.8kg
冲击频率Impact Frequency: 3900BPM	额定电压Rated Voltate: 220V	包装尺寸Packing: 3pcs/53.5*36*36cm
最大功率Max Power: 1500W	额定频率Rated Frequency: 50Hz	

-超强冲击力,高冲击频率,凿削效率高
-百分百铜线电机,1350W超大功率
-高品质碳刷,经久耐用

- Super impact force, high impact frequency, high chiseling efficiency;
- 100% copper wire motor, 1350W super power;
- High quality carbon brush, durable;
- Solid head
1 flat chisel, 1 pointed chisel, 1 carbon brush, 1oil can(empty)



65A Demolition Hammer 电镐

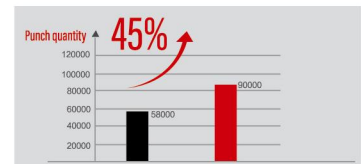
TECHNICAL PARAMETER

额定功率Rated Power: 1350W	冲击力Impact: 45J	机身重量Weght: 12.95kg
冲击频率Impact Frequency: 1400BPM	额定电压Rated Voltate: 220V	包装尺寸Packing: 3pcs/52*36.5*33.5cm
最大功率Max Power: 2500W	额定频率Rated Frequency: 50Hz	

-超强冲击力,高冲击频率,凿削效果好;
-100%全铜线电机,1500W超大功率;
-高品质碳刷,经久耐用。

- Super impact force, high impact frequency, high chiseling efficiency;
- One hundred percent full copper wire motor, 1500W super power;
- High quality carbon brush, durable;

Accessory:
1 flat chisel, 1 pointed chisel, 1 carbon brush, 1 oil can(empty)



199A Demolition Hammer 电镐

TECHNICAL PARAMETER

额定功率Rated Power: 1400W	冲击力Impact: 48J	机身重量Weght: 15.5kg
冲击频率Impact Frequency: 1400BPM	额定电压Rated Voltate: 220V	包装尺寸Packing: 1pcs/71*17.5*30.5cm
最大功率Max Power: 2500W	额定频率Rated Frequency: 50Hz	



ZOBAO®
掌中宝

ROTARY HAMMER
DEMOLITION HAMMER

浙江掌中宝电器有限公司

Zhejiang Zobao Electrical Appliances Co.Ltd.

浙江省永康市城西新区利康创业园26幢

④ No.26, Likang Xiaowei Yuan Li Er Village Chengxi
New District, Yongkang City, Zhejiang Province, China

✉ zobao-sales@163.com

手握掌中宝 赚钱不会少